

CENTER COURT SERIES



EXTRUDED ✓

EXTRUDED FIXTURE

HOUSING

EXTRUDED RECTANGULAR WITH SHARP MITERED CORNERS.

DOOR FRAME

THE DIE CAST DOOR FRAME IS MOUNTED WITH A HIGH TEMPERATURE SILICONE GASKET, PROVIDING A WEATHER TIGHT SEAL.

LENS

CLEAR, HEAT, AND IMPACT RESISTANT TEMPERED GLASS.

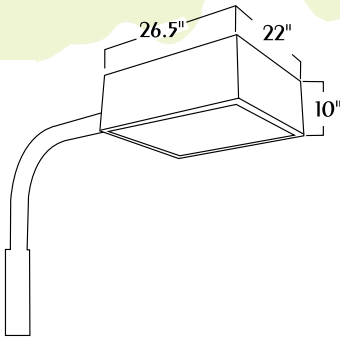
OPTICS

FORWARD THROW TYPE IV

LAMPS

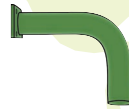
1000 WATT METAL HALIDE & BT56 MOQUL BASE

DIMENSIONS



ACCESSORIES

MOUNTING ARMS ✓



DV190



DV270



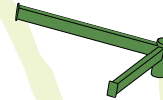
DV2180



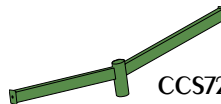
DV490



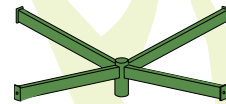
CCS7190



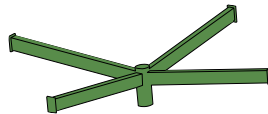
CCS7270



CCS72180



CCS7470



CCS7490

PROJECT NAME: _____

FIXTURE Type: _____

ORDER INFORMATION

Approval: _____

FIXTURES

FIXTURE	Description		
DCLB2GP1 EXTRUDED	000W MH-MT FORWARD THROW		
DCLB2GP2 EXTRUDED	1000W MH-480 FORWARD THROW		

POLES

POLE OPTIONS			
RSP20-4-11		4" x 20 ft. 11 GAUGE	
RSP20-5-11		5" x 20 ft. 11 GAUGE	

PACKAGES (Optional)

Single EXTRUDED CCS	Single EXTRUDED CCS	Dual 180 EXTRUDED CCS	
	(1) DCLB2GP1 (EXTRUDED)	(2) DCLB2GP1 (EXTRUDED)	
	(1) DV190 (MOUNTING ARM)	(1) DV180 (MOUNTING ARM)	
	(1) RSP20-4-11 (POLE)	(1) RSP20-4-11 (POLE)	
	Dual 70 EXTRUDED CCS	Quad 490 EXTRUDED CCS	
	(2) DCLB2GP1 (EXTRUDED)	(4) DCLB2GP1 (EXTRUDED)	
	(1) DV270 (MOUNTING ARM)	(1) DV490 (MOUNTING ARM)	
	(1) RSP20-4-11 (POLE)	(1) RSP20-5-7 (POLE)	

* GALVANIZED POLE · ** ARM MOUNTED AT 180°

