

CENTER COURT SERIES



DIE CAST

Die Cast Fixture

HOUSING

SOFT SQUARE DESIGN, CONSTRUCTED DIE-CAST ALUMINUM.

DOOR FRAME

THE DIE CAST DOOR FRAME IS MOUNTED WITH A HIGH TEMPERATURE SILICONE GASKET, PROVIDING A WEATHER TIGHT SEAL.

LENS

CLEAR, HEAT, AND IMPACT RESISTANT TEMPERED GLASS.

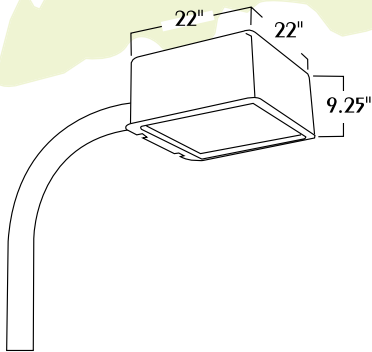
OPTICS

FORWARD THROW TYPE IV

LAMPS

1000 WATT METAL HALIDE & BT56 MOQUL BASE

DIMENSIONS



ACCESSORIES

MOUNTING ARMS



DV190



DV270



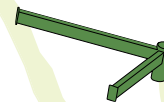
DV2180



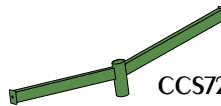
DV490



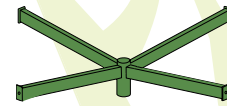
CCS7190



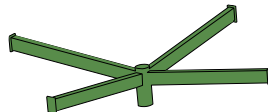
CCS7270



CCS72180



CCS7470



CCS7490

PROJECT NAME: _____

Fixture Type: _____

ORDER INFORMATION

Approval: _____

FIXTURES

DCLB3GPI	Fixture	Description	
	DCLB3GPI Die-CAST	1000W MH-MT Die-CAST	
	DCLB3GP2 Die-CAST	1000W MH-480 Die-CAST	

Poles

RSP20-4-11	Pole Options	
	RSP20-4-11 4" x 20 ft. 11 GAUGE	
	RSP20-5-11 5" x 20 ft. 11 GAUGE	

PACKAGES (Optional)

	Single Die-CAST CCS	Dual 180 Die-CAST CCS	
	(1) DCLB3GPI (Die-CAST)	(2) DCLB3GPI (Die-CAST)	
	(1) DV190 (MOUNTING ARM)	(1) DV180 (MOUNTING ARM)	
	(1) RSP20-4-11 (Pole)	(1) RSP20-4-11 (Pole)	
	DUAL 70 Die-CAST CCS	QUAD 490 Die-CAST CCS	
	(2) DCLB3GPI (Die-CAST)	(4) DCLB3GPI (Die-CAST)	
	(1) DV270 (MOUNTING ARM)	(1) DV490 (MOUNTING ARM)	
	(1) RSP20-4-11 (Pole)	(1) RSP20-5-7 (Pole)	

* GALVANIZED POLE · ** ARM MOUNTED AT 180°

